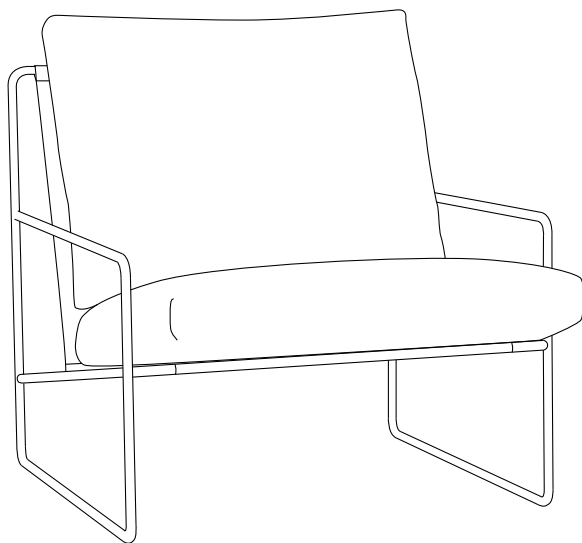


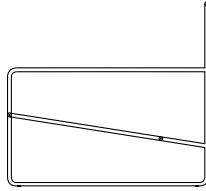
DESERT SOFA - 1-SEATER

ASSEMBLY MANUAL

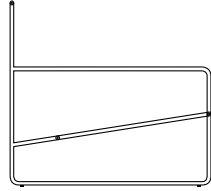


ferm
L I V I N G

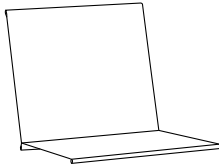
BOX CONTENT



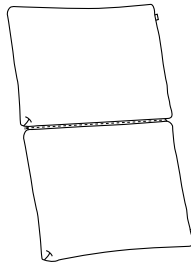
x1
Left frame



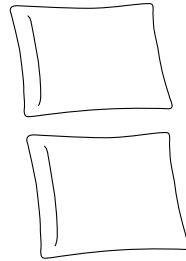
x1
Right frame



x1
Textile seat



x1
Cushion cover set



x2
Inner cushion



x3
Connection rod



x12
Screws

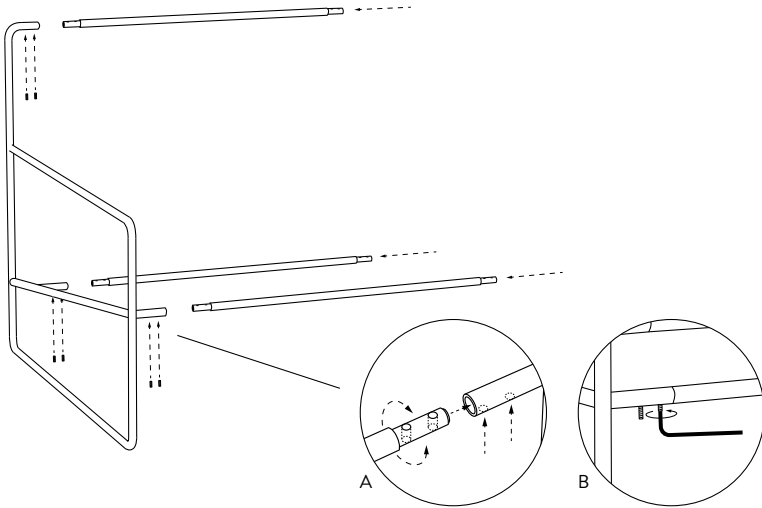


x1
Allen Key M6

Please note:

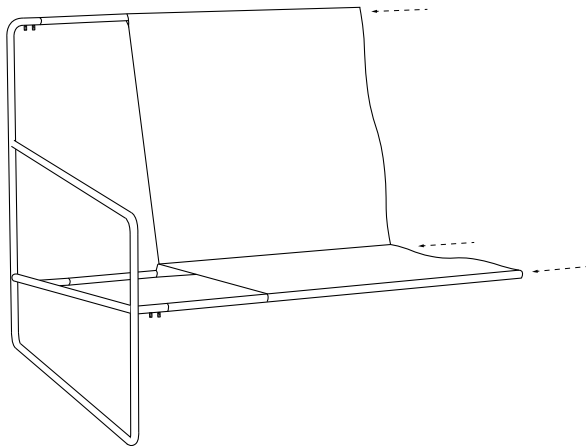
To avoid any unnecessary mistakes, please read the entire manual carefully before beginning the assembling process.

1



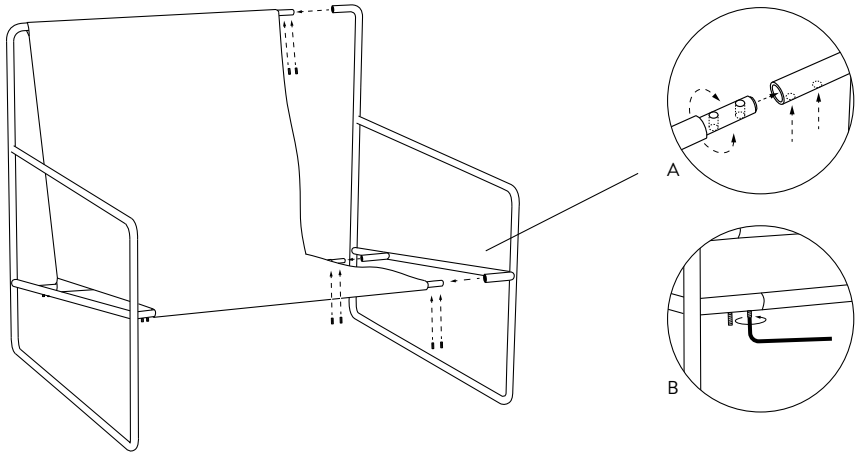
1. Connect the three rods to the left-sided frame (A). Twist the rods to make sure that the screw holes on the rods and on the side frame are aligned (B). Use the included Allen Key to place the screws in the center of each screw hole, and carefully secure each screw **halfway** into the frame. This is important for the following steps.

2



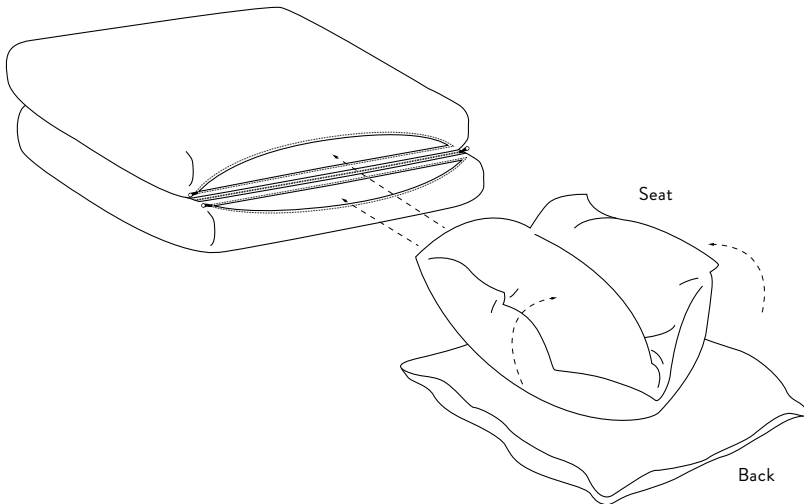
2. Carefully mount the fabric cover over the three rods, making sure that the screws – which are only screwed halfway into the frame – do not rip or damage the fabric.

3



3. You will now connect the right-sided frame (A). As explained in step 1, it is important that the screw holes on the rods and on the right frame are aligned. If the screw holes do not immediately align, it is possible to carefully twist the rods until they do. When the screw holes on the rods and on the right frame are aligned, use the Allen Key to place the six screws in the center of the holes, and screw them in tightly. (B) Now, the screws on the left side of your Desert Sofa can also be tightened.

4



4. It is now time to put the cushion covers onto the back and seat cushions. Please be aware that the back and seat cushions are not the same size. Before attempting to place the covers onto each cushion, please make sure that they match by checking the label. Then fold the pillow in half before putting the cover on.

fermliving.com